

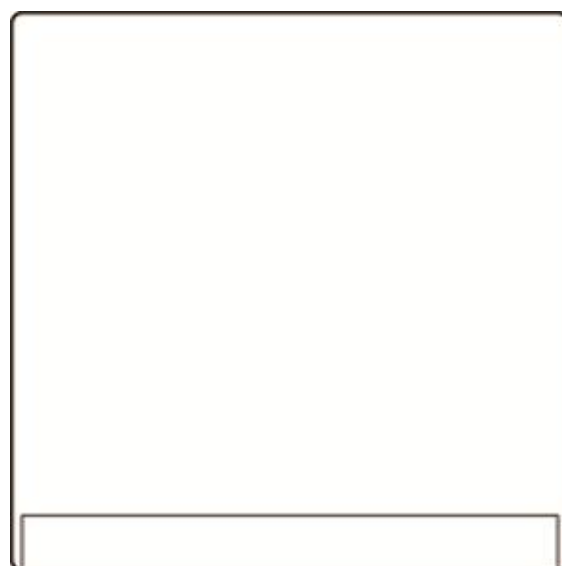


# Product information

Series AMI

**Illumination module**

**AMI11400**



***Note on the validity of this product information***

This product information states specific information on the module.

It is only valid in combination with the enclosed product information *Modules of the series AMI in front-door stations*.

## Scope of delivery

- 1 x Illumination module AMI11400
- 3 x Spacer foil 0.5 mm
- 1 x 4-pin connecting cable
- 4 x Securing nut M4
- Product information illumination module AMI11400
- Product information modules of the series AMI in front-door stations

## Intended use

- The illumination module AMI11400 is a module for front-door stations of the series AMI.
- It illuminates input modules (e.g. keypad modules).
- It can only be used in combination with a display module AMI1010x, a built-in door loudspeaker module AMI11100 or any other module with 4-pin connecting cable e.g. codelock module AMI11200.

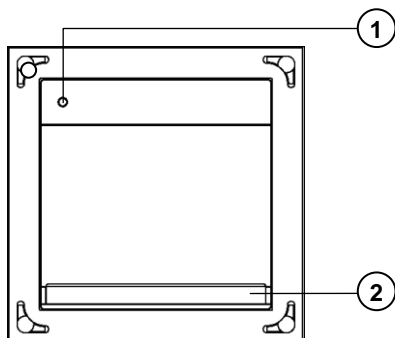
## Short description

- Integrated illumination unit with RGB-LED
- Integrated dimmer switch
- Dimmer switch is used to control the illumination of the module itself and other illuminated modules (bell button module, info module)
- To connect via 4-pin connecting cable, second terminal for outgoing connections to the next module.

## Technical data

housing	aluminium, anodised
light emission	polycarbonate (PC)
HxWxD	105 x 105 x 36 mm
weight	280 g
acceptable ambient temperature	-25 °C to +55 °C
input current standby	I(P) = 4 mA
max. input current	I(P) = 200 mA
3-wire technique necessary	

## Overview

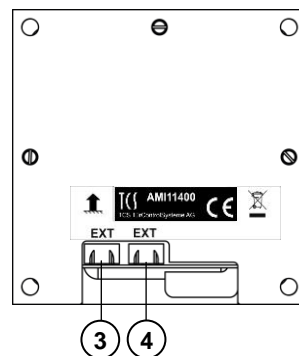


**1 Dimmer switch**

**2 Light emission**

**3 Connection**  
display module  
AMI1010x or built-in door  
loudspeaker module AMI  
11100

**4 Connection**  
module with 4-pin con-  
necting cable (bellbutton  
module AMI 1090x,  
codelock module  
AMI11200)

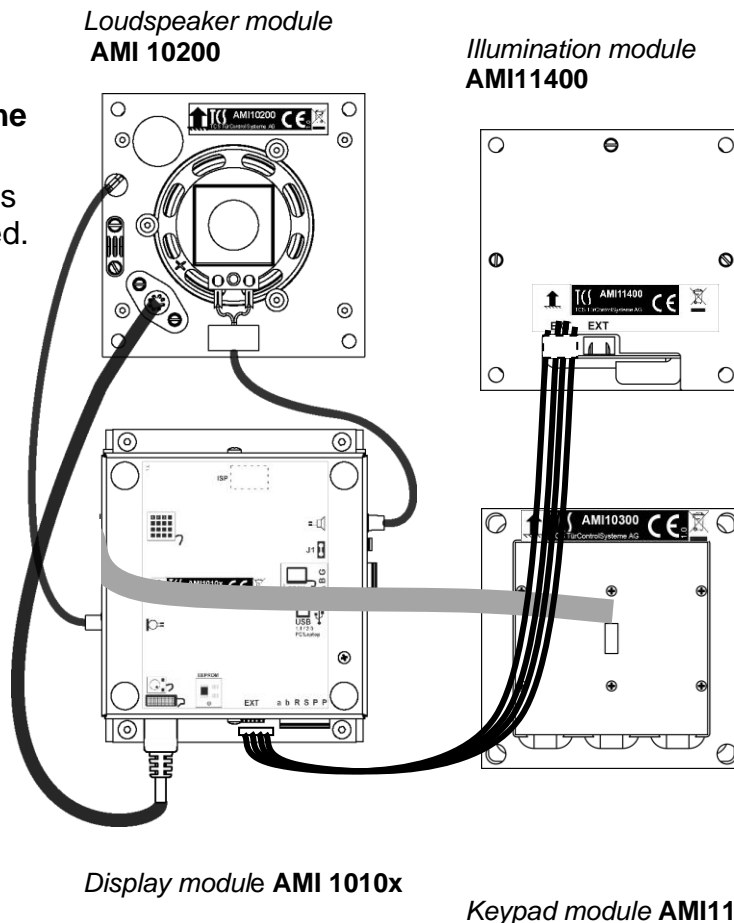


## Connect the lines

### Installation example

#### Connect the modules within the front-door station

After the installation, the modules themselves have to be connected.



## Configuration

### Factory settings

dimmer switch	active
threshold value	step 3 (of 8)
color of the illumination	white

### Configuration options

	manually	TCSK-01	configo™ as of version 1.7.1
color	-	-	X
brightness	-	-	X
threshold value (8 steps)	-	-	X

## Accessory

short text	article number
maintenance package	FBI1210-0

## Service

Please send your questions and inquiries to  
**hotline@tcsag.de**

### Headquarters

TCS TürControlSysteme AG, Geschwister-Scholl-Str. 7, D-39307 Genthin  
 Fon: +49 (0) 3933 / 879910, Fax: +49 (0) 3933 / 8799 11, E-Mail: info@tcs-germany.de, Internet: www.tcsag.de