

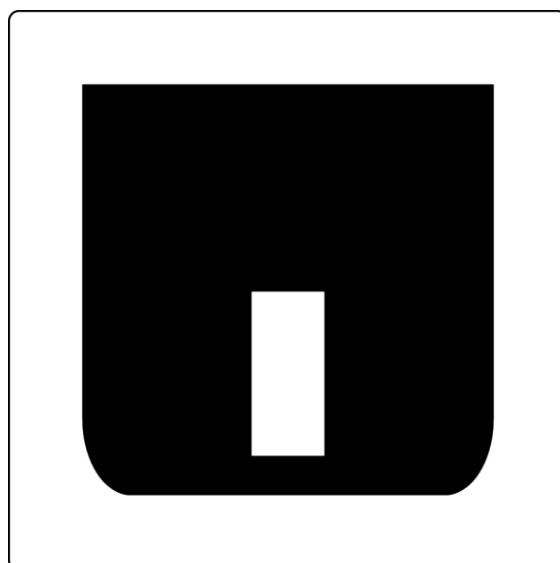


# Product information

Series AMI

## Fingerprint scanner module

### AMI10800



#### ***Note on the validity of this product information***

This product information states specific information on the module.

It is only valid in combination with the enclosed product information *Modules of the series AMI in front-door stations*.

## Scope of delivery

- 1 x Fingerprint scanner module AMI10800, inclusive:
    - Fingerprint scanner,
    - Control unit in DIN-rail, 1 relay
    - Transformer NWV1000-0400
  - 4 x Securing nut M4
  - 3 x Spacer foil 0.5 mm
- Product information fingerprint scanner module AMI10800  
Product information modules of the series AMI in front-door stations  
*Technical documentation* for fingerprint scanner of the manufacturer ekey

## Intended use

The fingerprint scanner module AMI10800 is a module for front-door stations of the series AMI.

As a module for biometric access control, it is suitable for stand-alone operation.

As an additional module, it has to be placed below illumination, keypad, jogwheel or bell button module.

Also see *product information modules of the series AMI > installation positions for modules in front-door stations*

## Short description

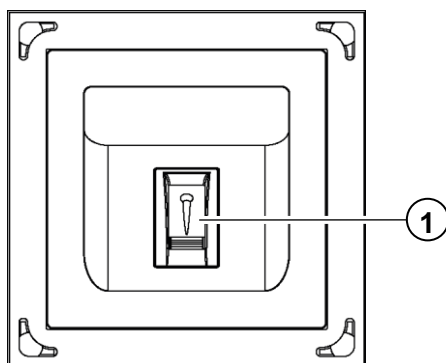
Fingerprint scanner module for front-door stations of the series AMI with customised fitting

- storage for up to 99 fingerprints.
- manual import of fingerprints
- secure in the event of power failure: data is stored and is not lost
- security code for configuration can be set
- fingerprint scanner and control unit are allocated to one another and tamper-proof
- commissioning and operation via the control unit
- optical acknowledgement when enrolled finger is recognised
- door release function with potential-free relay contact (two-way contact: 42 V AC/DC / 2 A)
- recommended cable J-Y(ST)Y4x2x0.8

## Technical data

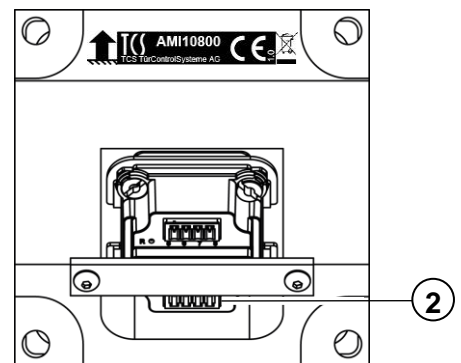
|  |   |
|--|---|
| supply voltage   | 230 V AC (by transformer to operating voltage, enclosed in the delivery)                    |
| operating voltage control unit   | 8 - 24 V AC/DC (control unit supplies fingerprint scanner module, enclosed in the delivery) |
| housing<br>fingerprint scanner   | anodised aluminium<br>plastics, finger recess anodised aluminium                            |
| H x W x D<br>fingerprint scanner module<br>control unit<br>transformer | 105 x 105 x 48 mm<br>86 x 70 x 54 mm<br>110 x 35 x 60 mm                                    |
| weight<br>fingerprint scanner module<br>control unit<br>transformer    | 590 g<br>460 g<br>400 g   |
| acceptable ambient temperature<br>(fingerprint scanner)                | -25 °C to +70 °C  |
| input current standby<br>max. input current                            | I(P) = 85 mA<br>I(P) = 90 mA  |
| power consumption  | approx. 1 W   |
| fingerprint scanner<br>biometric characteristics                       | FAR $1,0 \times 10^{-6}$ at FRR $1,4 \times 10^{-2}$  |

## Overview



**1 Fingerprint scanner**  
with finger recess

**2 Terminals 1 to 4 to**  
the control unit



## Installation

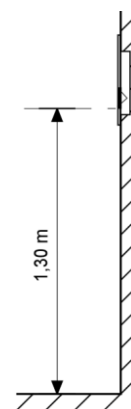
### **Requirements for the installation site**

- Harmful environmental conditions can reduce the durability or can cause malfunctions.
- Do not install and operate the fingerprint scanner module on sites with direct solar radiation or unsuitable ambient temperatures (see *Technical data*, page 3).

- ! • Moisture on the fingerprint scanner may affect the functionality resp. can cause malfunctions.
- Please also observe the requirements stated in the enclosed technical documentation of the manufacturer *ekey!*

### **Installation height**

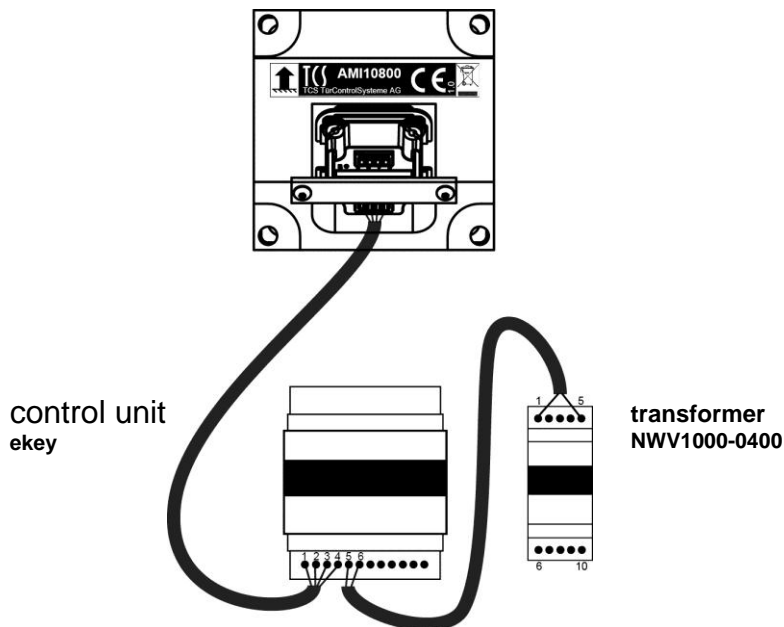
recommended installation height for the fingerprint scanner module:  
bottom edge 1.30 m or higher



## Connect the lines

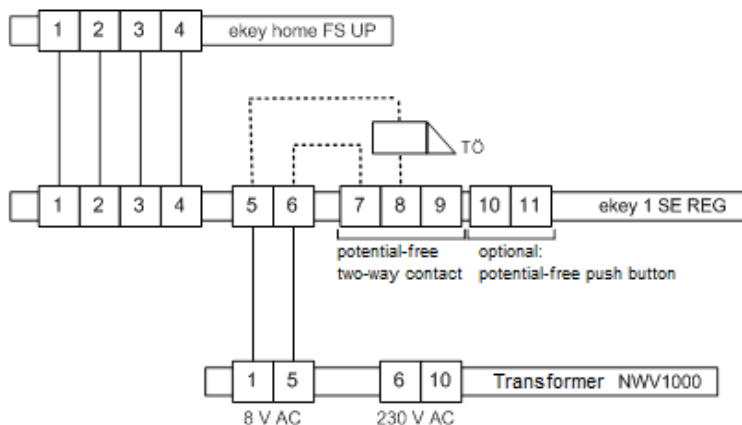
**Connect the module to the control unit and the power supply unit.**

**AMI10800 as stand-alone device**



- Connect the fingerprint scanner module AMI10800 with the terminals 1, 2, 3, 4 to the ekey control unit.
- Connect the ekey DIN-rail case 1 to the transformer NWV1000-0400.

### Wiring example



**!** Please also observe the enclosed technical documentation on the fingerprint scanner module of the manufacturer ekey!

**Notes**

**Notes**

## Service

Please send your questions and inquiries to  
**hotline@tcsag.de**

### Headquarters

TCS TürControlSysteme AG, Geschwister-Scholl-Str. 7, D-39307 Genthin  
Fon: +49 (0) 3933 / 879910, Fax: +49 (0) 3933 / 8799 11, E-Mail: [info@tcs-germany.de](mailto:info@tcs-germany.de), Internet: [www.tcsag.de](http://www.tcsag.de)