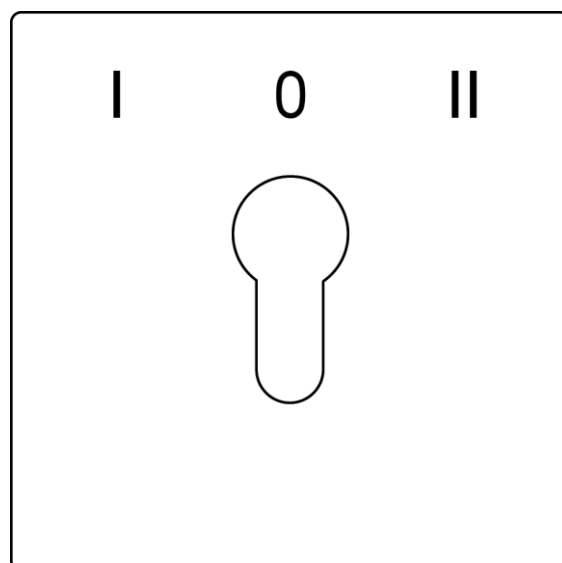




Product information

Series AMI

Key switch module AMI10700



Note on the validity of this product information

This product information states specific information on the module.

It is only valid in combination with the enclosed product information *Modules of the series AMI in front-door stations*.

Scope of delivery

- 1 x Key switch module AMI10700
- 3 x Spacer foil 0.5 mm
- 4 x Securing nut M4
- 3 x Hexagon Allen key
- Product information key switch module AMI10700
- Product information modules of the series AMI in front-door stations

Intended use


The key switch module module AMI10700 is a module for front-door stations of the series AMI.

It can be used as stand-alone device or as an additional module.

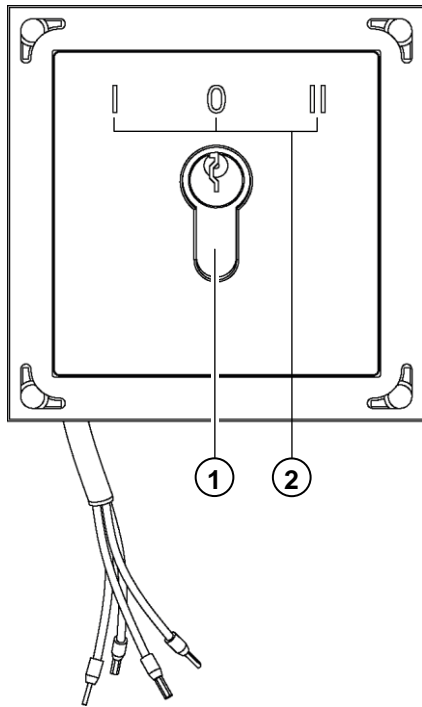
Short description

- With the key switch module, control and switching functions can be triggered by a key.
- The key returns to the original position after the contact has been executed.

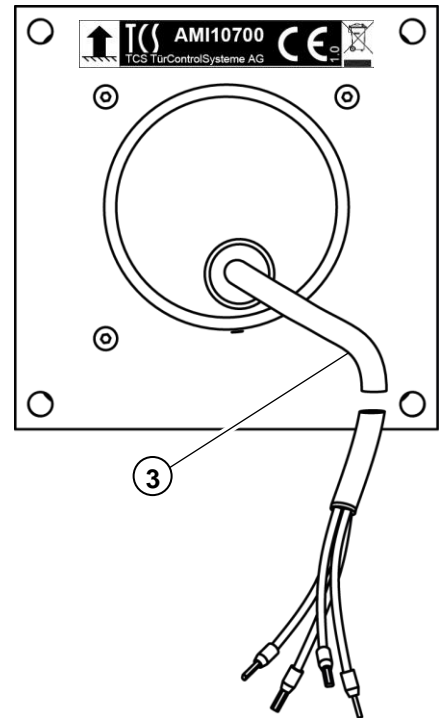
Technical data

| | |
|--------------------------------|--|
| supply voltage |  All front-door stations and modules are permitted exclusively for safety extra low voltage (SELV) and protective extra low voltage (PELV). |
| housing | anodised aluminium |
| dimensions in H x W x D | 105 x 105 x 51 mm ∅ 62 mm (built-in keyswitch) |
| weight | 640 g |
| touch contact | 2-sided, both closing contacts |
| semi-cylinder | according to DIN 18252 |
| standards | switch corresponds to standard IEC947-5-1 |
| acceptable ambient temperature | -10 °C to +50 °C |

Overview



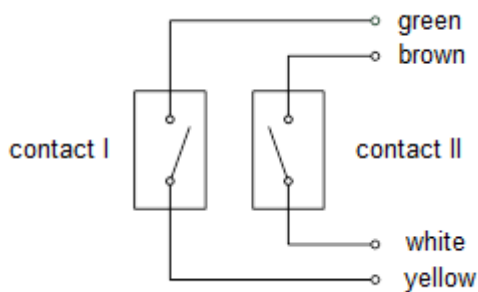
- 1 Key switch with semi-cylinder**
- 2 push switch**
0: resting position,
I and II: touch contacts
- 3 cable** (connection to closing contact)



Connect the lines

Connect the touch contacts I and II e.g. with a closing contact as follows:

| touch contact | I | | II | |
|---------------|-------|--------|-------|-------|
| color | green | yellow | brown | white |



Service

Please send your questions and inquiries to
hotline@tcsag.de

Headquarters

TCS TürControlSysteme AG, Geschwister-Scholl-Str. 7, D-39307 Genthin
Fon: +49 3933 8799-10, Fax: +49 3933 8799-11, E-Mail: info@tcsag.de, Internet: www.tcsag.de